

Prodit

Features List

- Configurable desking system for off-line & on-line editing
- Large 2.4m workspace
- Three 3u top racks and capabilities for integration of bottom 12u racks
- Deep monitor bridge to house Grade 1 and wide screen monitors (optional flat screen monitor bridge available)
- Complete cable management
- Available in Graphite Grey & Crown Oak veneer (as shown) and Royal Blue & Crown Maple
- Self-assembly and flat packed for easy shipping & installation



EXAMPLES

The ProEdit desk is designed specifically for offline and online editing environments. It is part of the ProWave modular desking system, which offers the user opportunities to create a desk suitable to their specific requirements incorporating the possibility of more racks and work surfaces as required. This product range comes flat packed which makes it easy to ship and assemble on site.

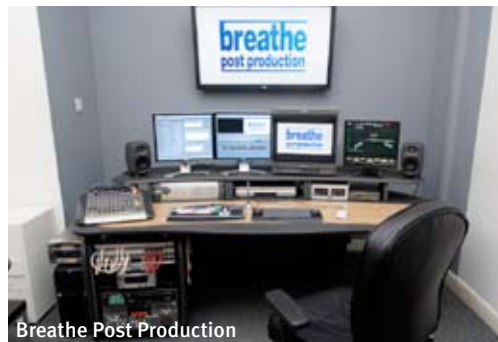
We offer a *free design* layout service so if you send us a floor plan of your studio, we will fit your ProWave system into the space. We also offer *Hybrid* with the ProWave range; this means custom sections can be built if required for a specific project.

The standard colours are Royal Blue & Crown Maple and Graphite Grey & Crown Oak



Abbot Mead Vicars BBDO

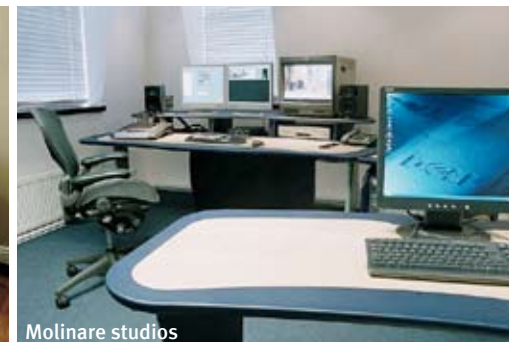
ProEdit Hybrid



Breathe Post Production

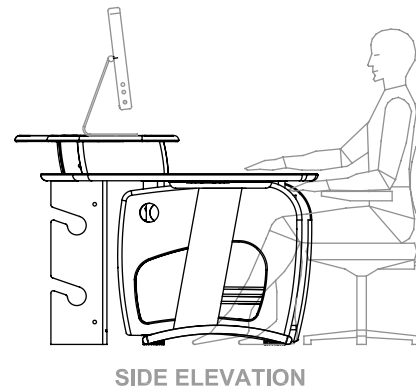
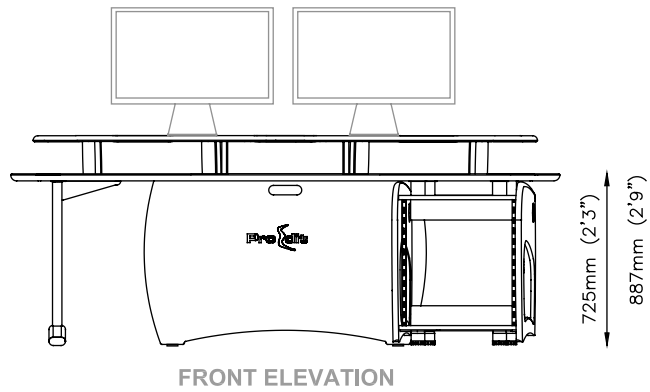
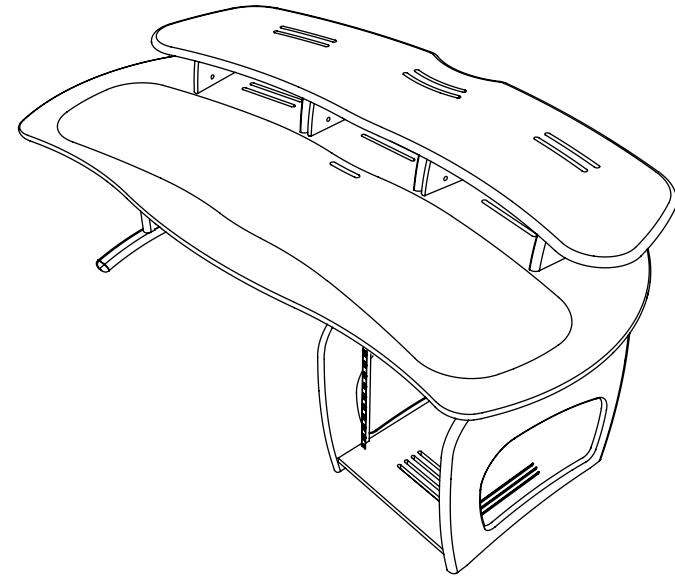
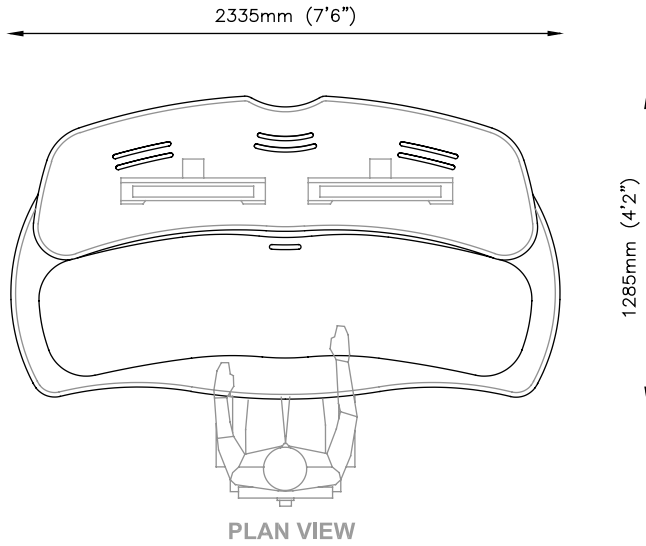


Oasis @ The Sanctuary



Molinare studios

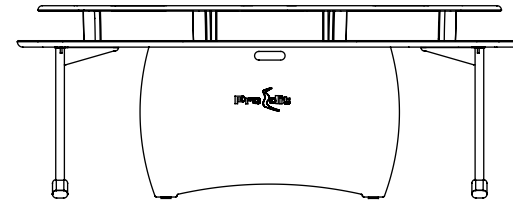
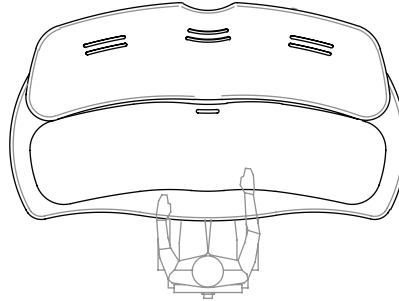
ELEVATIONS



CONFIGURATIONS

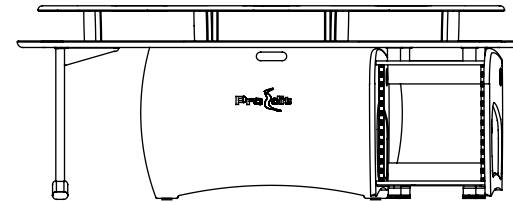
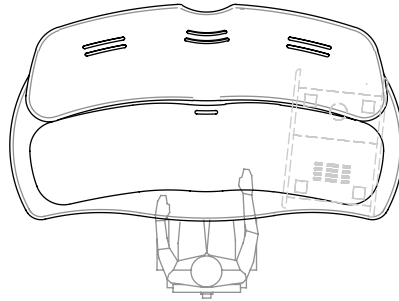
Configuration A

ProEdit



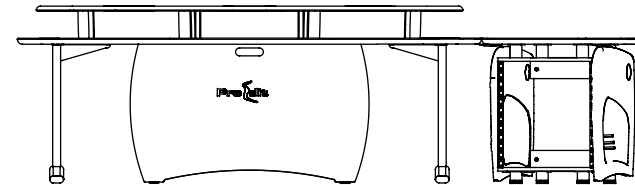
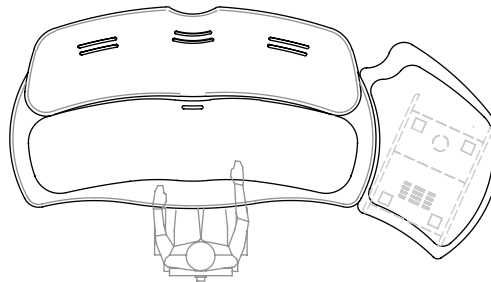
Configuration B

ProEdit + 12u Rack

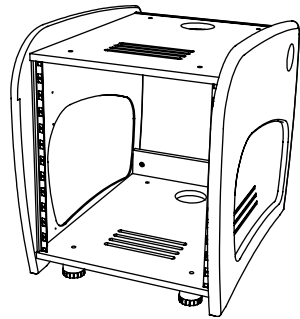


Configuration C

ProEdit + 12u Rack
+ RH Worktop

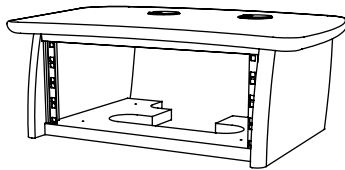


RACKS



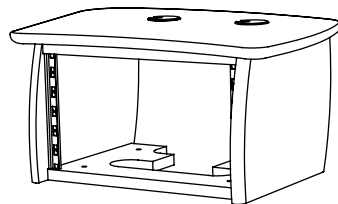
12U Rack

12u rack with adjustable feet. Modular connectivity with rack worktops/wingtips, can be used as free standing rack. Integral cable management
Available in Blue & Maple or Grey & Oak finish



4U Rack

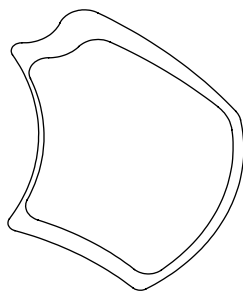
4u rack with cable management, supplied with rack strip
Available in Blue & Maple or Grey & Oak finish



6U Rack

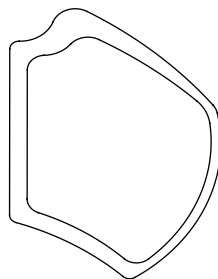
6u rack with cable management, supplied with rack strip
Available in Blue & Maple or Grey & Oak finish

WORKTOPS



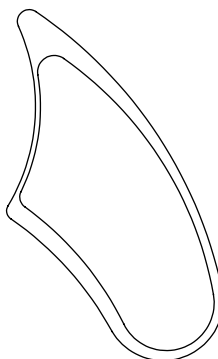
Worktop

Worktop supplied with cable management grommets
Not supplied with Jointer kit
Available in Blue & Maple or Grey & Oak finish



Console Worktop

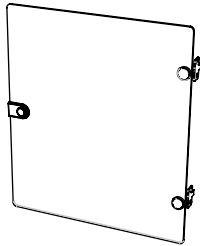
Worktop supplied with cable management grommets
Not supplied with Jointer kit
Available in Blue & Maple or Grey & Oak finish



Wingtip

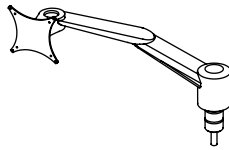
Wingtip with adjustable leg, fixing plates & 2 cable management grommets supplied
Available in Blue & Maple or Grey & Oak finish

ACCESSORIES



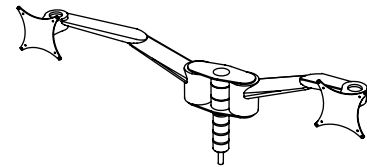
Glass Door

6mm toughened glass door with stainless steel fittings and lock



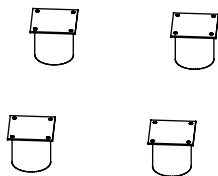
Single monitor arm

(vesa compatible)



Double monitor arm

(vesa compatible)



Jointer kit

Enables connection of 12u rack to underside of worktops & wingtips, supplied with fixing screws and connecting bolts