

ProCommand

Features List

- Audio desking system specifically designed for the Digidesign D-Command 8 fader & 24 fader consoles
- Modular assembly with capabilities for various combinations of racks and worktops
- Optional glass acoustic door for 12u bottom rack
- Optional integrated adjustable monitor arm system
- Complete cable management
- Self-assembly & flat packed for easy shipping and assembly



EXAMPLES

The ProCommand range is specifically designed for Digidesign's D-Command desks for both the 8 and 24 fader options. This range has various worktop and rack configurations to tailor your setup to best suit your working environment.

This product range comes flat packed which makes it easy to ship and assemble on site. We offer a *free design* layout service, so if you send us a floor plan of your studio we will fit your ProCommand system into the space.

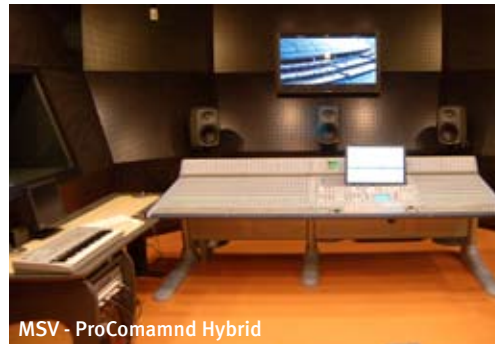
The standard colours are Royal Blue & Crown Maple



DGP Audio



Spirit Studios

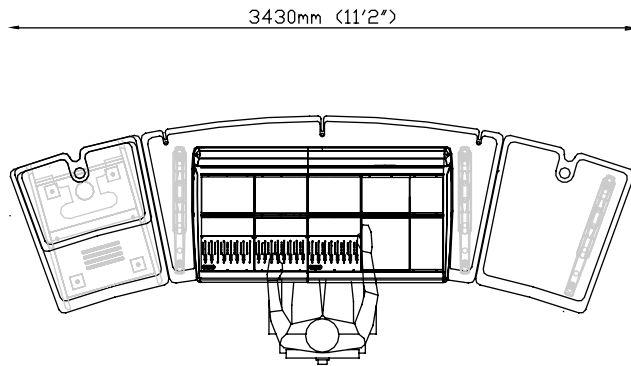


MSV - ProComamnd Hybrid

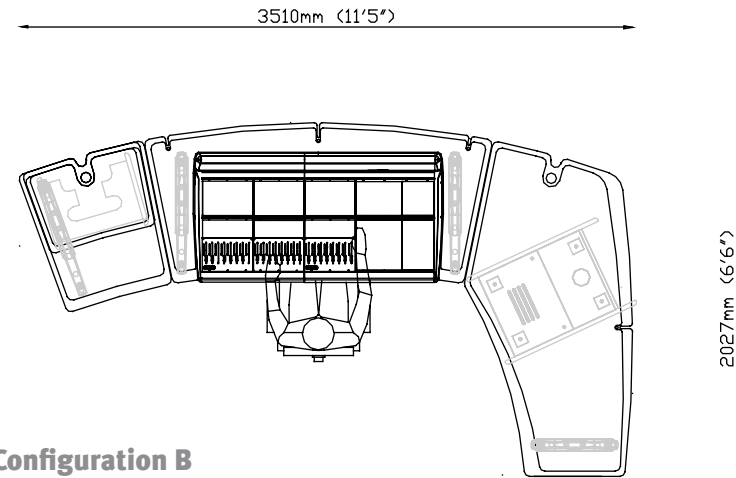


Oasis - ProCommand Hybrid

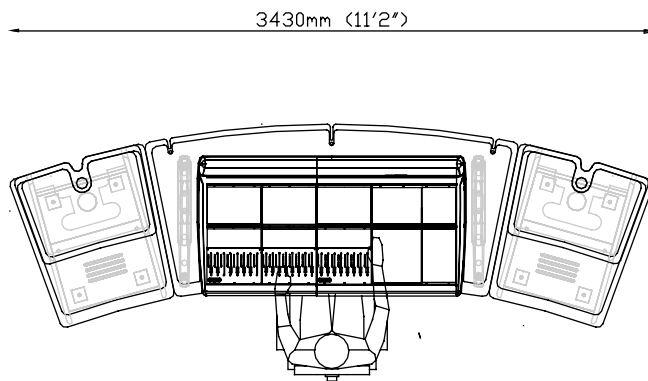
CONFIGURATIONS



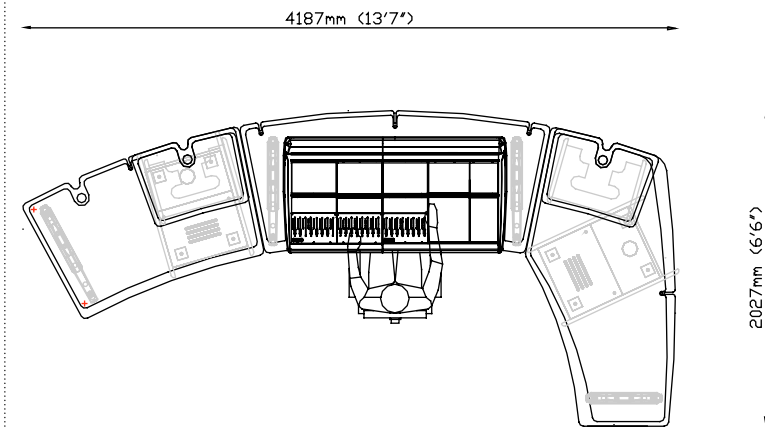
Configuration A



Configuration B



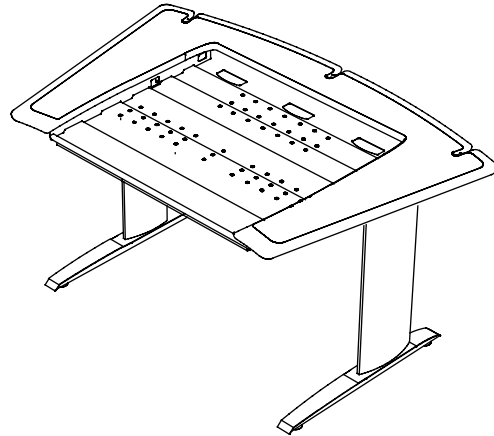
Configuration C



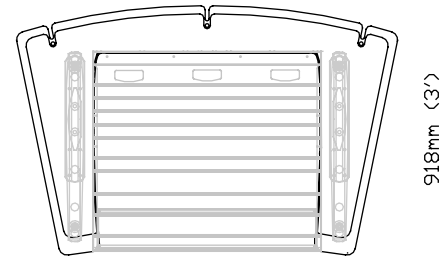
Configuration D

All Prices are subject to change and are ex VAT, shipping and duties where applicable

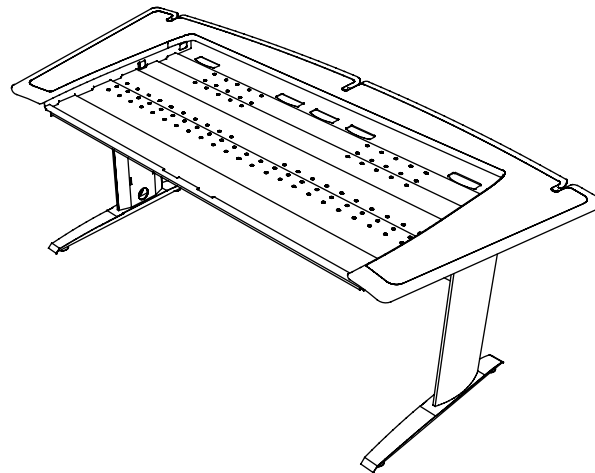
CENTRE SECTIONS



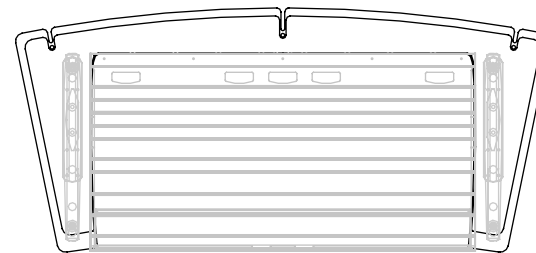
1405mm (4'6")



ProCommand C8

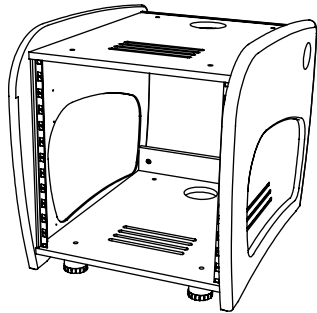


1990mm (6'5")



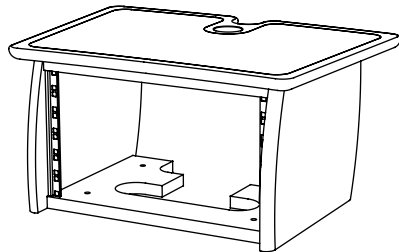
ProCommand C24

RACKS



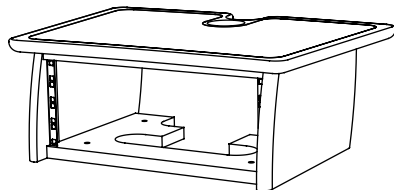
12u Rack

12u rack with adjustable feet. Modular connectivity with rack worktops/wingtips, can be used as free standing rack. Integral cable management
Available in Blue & Maple or Grey & Oak finish



6u Rack

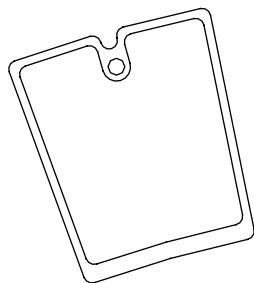
6u rack with cable management, supplied with rack strip
Available in Blue & Maple or Grey & Oak finish



4u Rack

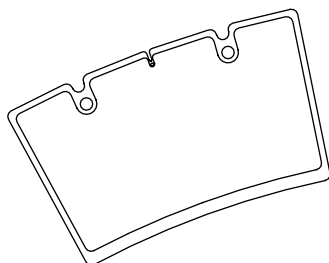
4u rack with cable management, supplied with rack strip
Available in Blue & Maple or Grey & Oak finish

WORKTOPS



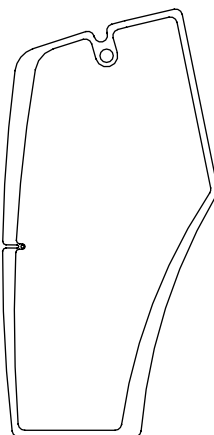
Worktop

Worktop supplied with cable management grommets
Not supplied with Jointer kit
Available in Blue & Maple finish



Worktop

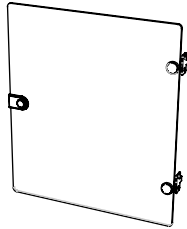
Worktop supplied with cable management grommets
Not supplied with Jointer kit
Available in Blue & Maple finish



Wingtip

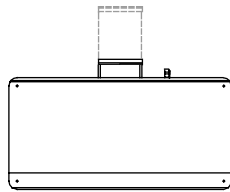
Wingtip with adjustable leg, fixing plates & 2 cable management grommets supplied
Available in Blue & Maple finish

ACCESSORIES



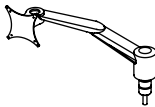
Glass Door

6mm toughened glass door with stainless steel fittings and lock



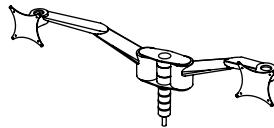
Keyboard Tray

6mm toughened glass door with stainless steel fittings and lock



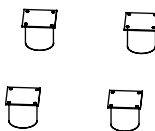
Single monitor arm

(vesa Compatible)



Double monitor arm

(vesa Compatible)



Jointer kit

Enables connection of 12u rack to underside of worktops & wingtips, supplied with fixing screws and connecting bolts